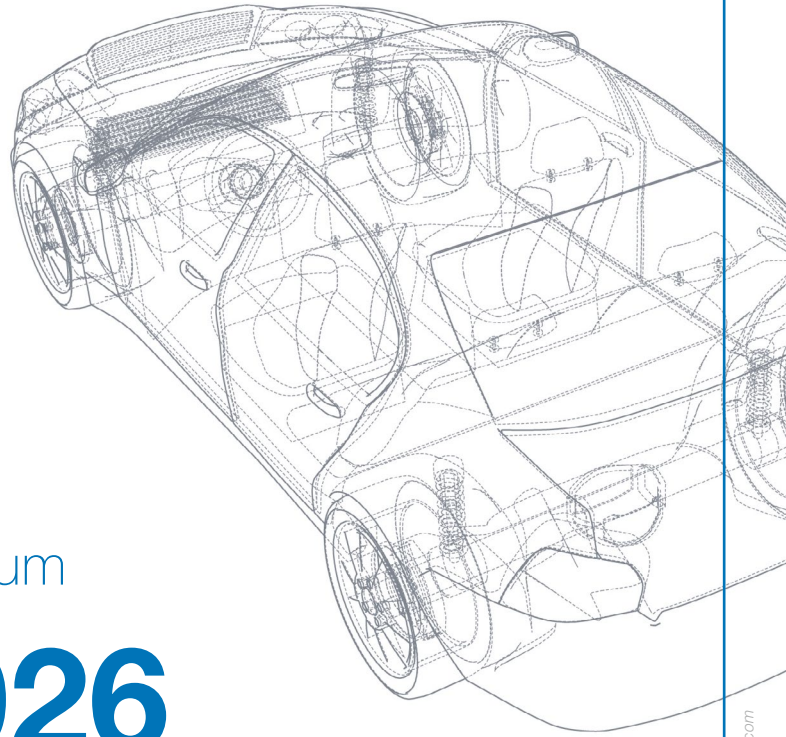


Call for Papers



16. GMM / GMA Symposium

AmEC 2026

Automotive meets Electronics & Control
Dortmund, Westfalenhalle | March 19 – 20, 2026

Automotive meets Electronics & Control 2026

After a successful event in 2024, we are announcing the next conference **Automotive meets Electronics and Control (AmEC) 2026**. The conference topics address current challenges in industry as well as academia for realizing intelligent automobile systems, covering a wide range including soft- and hardware concepts, testing strategies and connected mobility. A holistic approach enables a successful implementation of the system, therefore an exchange of ideas between experts of the different fields is necessary.

The AmEC gives the opportunity for getting in contact with OEMs and 1st and 2nd tiers from the automotive industry. Bringing together industry and academia, there is plenty of room for discussing technical issues and exchanging ideas. It is an excellent platform for presenting latest research work as well as technical implementations from industry.

A newly introduced optional peer-review process of full papers shall motivate people from academia for submission of their work.

Automotive meets Electronics & Control – and we would like to meet you there!

Georg Schildbach

Universität zu Lübeck

Anne Stockem Novo

University of Applied Sciences Ruhr West

www.ame-konferenz.de

Topics

Mobility concepts and solutions

- Seamless intermodal mobility
- Mobility as a service
- Cooperative driving
- Networking and V2X communication

Hardware in a software-defined environment

- Semiconductor technologies and packaging trends
- Smart sensors, actuators, circuits and devices
- Data fusion and system integration
- Power distribution and electrical drive concepts

Software-defined vehicle

- Machine Learning/Deep Learning in the automotive context
- Digital Twins, simulation and Cloud services
- Verification & Validation
- Foundation models and Generative AI

Vehicle dynamics & control

- Vehicle and tire models
- Modeling of vehicle-driver systems
- System identification and estimation
- Vehicle motion control
- Energy efficiency, eco driving and charging

Intelligent and autonomous vehicle

- Driver and occupants monitoring
- HMI and user experience
- Maneuver planning & decision making
- Trajectory planning and control
- System testing and validation

This list of topics should be seen as a guideline. We are always open to other topics related to the domain of the AmEC.

Important dates

- 18.05.2025 Deadline for submission of abstracts
- 16.06.2025 Notification of authors
- 15.09.2025 Deadline for submission of full papers
- 31.10.2025 Peer-review feedback for full paper submissions
- 15.01.2026 Final contribution
- **19.–20.03.2026 AmEC in Dortmund**

Call for Papers

Abstracts with a length of 500–1000 words and the specification of the topical domain must be submitted via the electronic system Easy Chair. After notification of acceptance, authors have the possibility to submit a full paper covering 4–6 pages which will undergo a peer-review process and will be published as *GMM-Fachbericht* by VDE publishing house and visible at IEEE Xplore. Abstracts can be submitted in German or English, full papers must be submitted in English.

An award will be given to the best presentation.

www.ame-konferenz.de

Organizer

This conference is organized by the VDE/VDI Society of Microelectronics, Microsystems and Precision Engineering (GMM) and the VDI/VDE Society for Measurement and Control Technology (GMA).

Contact

Society of Microelectronics, Microsystems and Precision Engineering (VDE/VDI GMM)

Dr. Ronald Schnabel
Merianstraße 28
63069 Offenbach/Main
Phone: +49 69-6308-227
Email: gmm@vde.com

